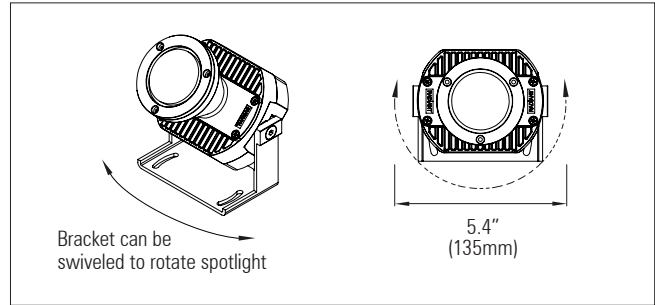
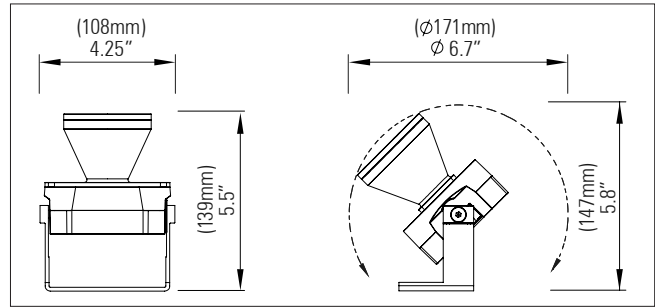
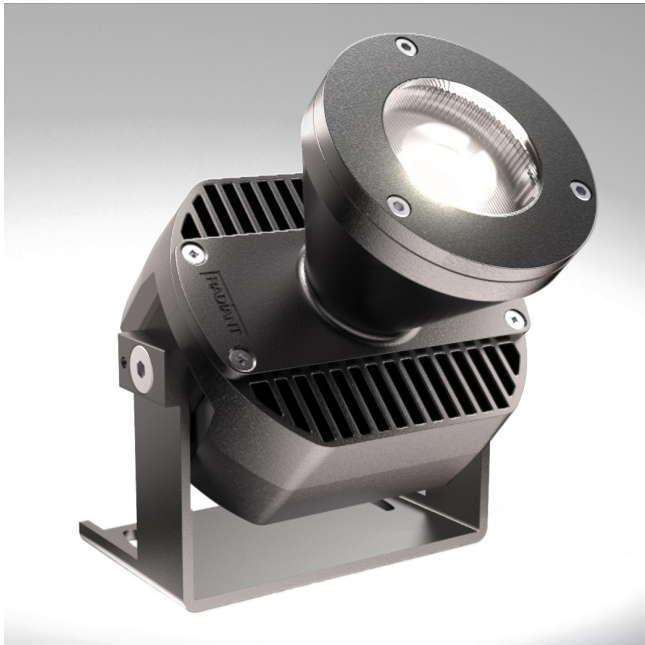


**D 100 IP20 Class 2**  
1 x high-power LED with 4° beam lens  
Interior LED spotlight range



**D 100 IP20 Spotlight with 1 x high-power LED with 4° beam lens**

Interior LED spotlight range with integral LV DC to DC driver or remote AC to DC driver and extremely narrow beam for highly controlled, creative decorative lighting effects

**Product description:**

The D 100 IP20 spotlight range has been developed for use in architectural lighting applications where powerful, highly controlled lighting effects are required from a compact luminaire

Each spotlight comprises of: 1 x Cree XHP35 HI LED with a LEDIL LEIA lens system which produces a 4° spotlight beam

An additional sublens can produce a narrow high-aspect (50° + 5°) oval beam

Up to 10 Watts per spotlight

Rotatable in two axes using the adjustable angle brackets. Other mounting brackets are also available including custom designs to meet project requirements

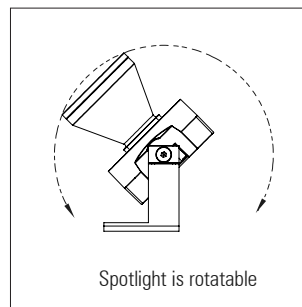
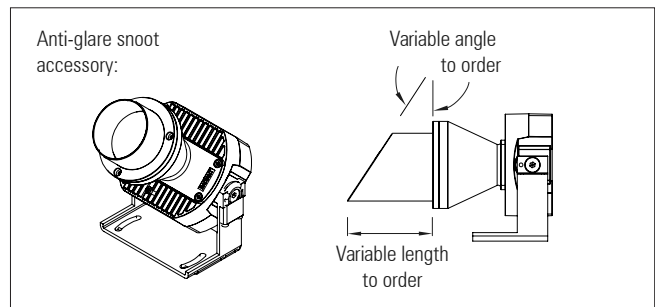
Both integral LV DC to DC driver and remote AC to DC driver versions are available

Dimming options available: 1-10V, DMX and DALI. Separate dimming channel

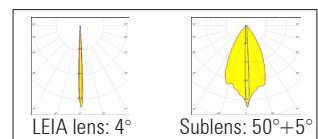
Various LED colour temperature and CRI options available

Satin black, satin white or any RAL paint colour finish

Custom anti-glare snoot accessories ensure excellent visual comfort



Up to 670 Lumens per spotlight



Product Code	IP	LED Type	Colour Temp. (K)	CRI	Optics (°)	Anti-glare Snoot	Fixing Type	Finish
D 100 IP20 4° LENS REMOTE DRIVER	20	Cree: XHP35 HI	27=2,700k 30=3,000k 35=3,500k 40=4,000k 45=4,500k 50=5,000k	80 90	LEDIL LEIA lens: Ultra-narrow 4° spot beam	Cut-angle: 0° - 75° (increments of 5°)	Adjustable angle  Fixed angle	Black  White  Any RAL colour
D 100 IP20 4° LENS INTEGRAL DRIVER					+ sublens: Ultra-narrow 50° + 5° oval beam	Height: specify height	Custom height adjustable angle (specify leg height)  Custom solution	